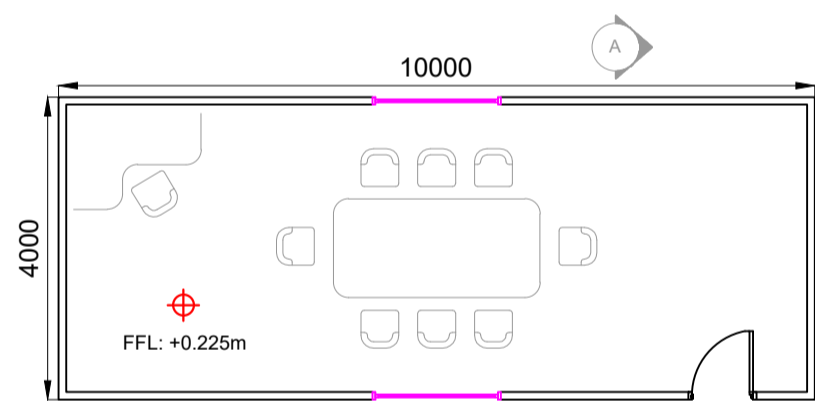
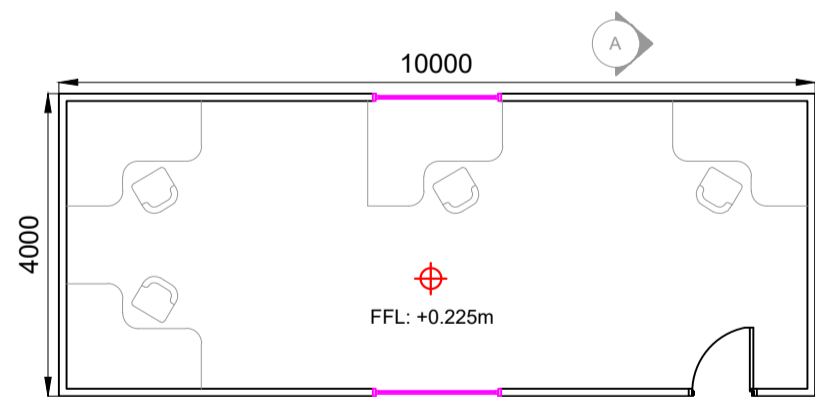


KEYPLAN
Scale: NTS

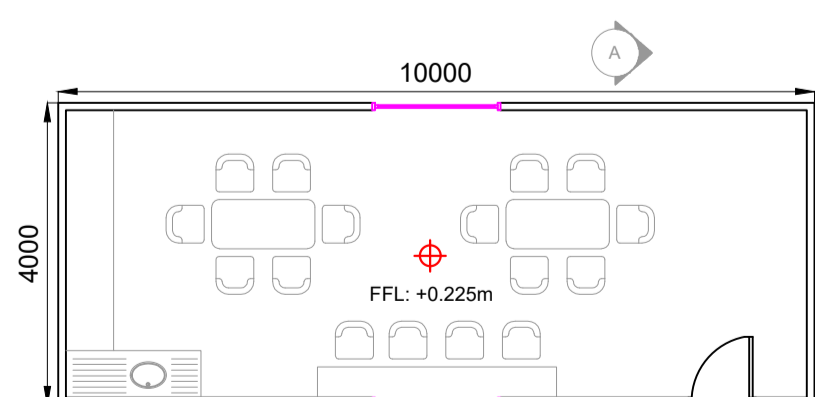
CONTRACTORS COMPOUND - LAYOUT PLAN
SCALE 1:250



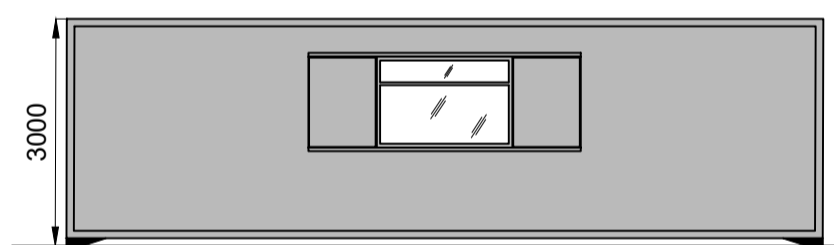
10m x 4m MEETING ROOM - FLOOR PLAN
SCALE 1:100



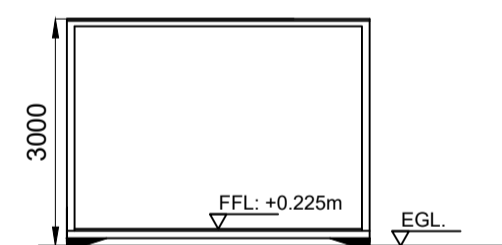
10m x 4m SITE OFFICE - FLOOR PLAN
SCALE 1:100



10m x 4m CANTEEN - FLOOR PLAN
SCALE 1:100



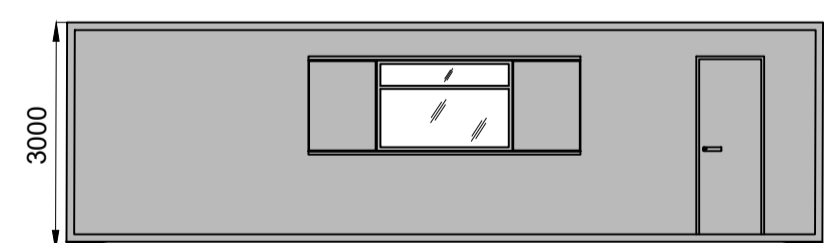
TYPICAL 10m x 4m UNIT - REAR ELEVATION
SCALE 1:100



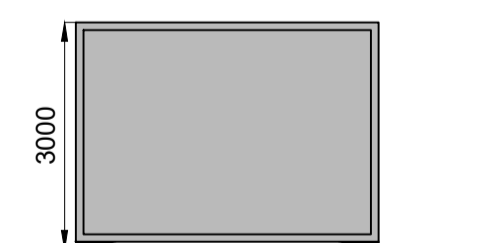
TYPICAL 10m x 4m UNIT - SECTION A-A
SCALE 1:100



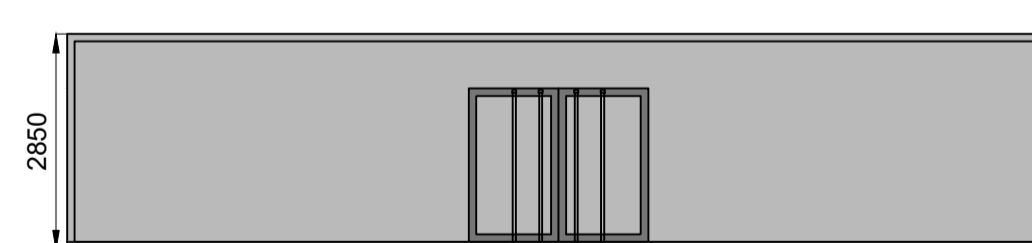
TYPICAL STORAGE UNIT - REAR ELEVATION
SCALE 1:100



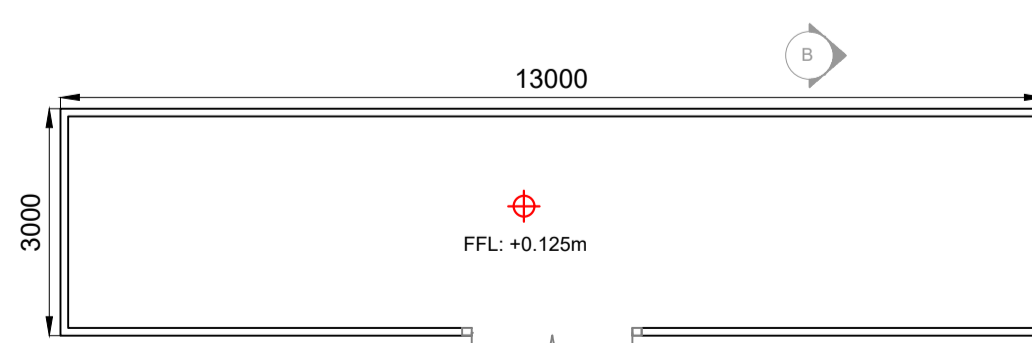
TYPICAL 10m x 4m UNIT - FRONT ELEVATION
SCALE 1:100



TYPICAL 10m x 4m UNIT - SIDE ELEVATION
SCALE 1:100



TYPICAL STORAGE UNIT - FRONT ELEVATION
SCALE 1:100



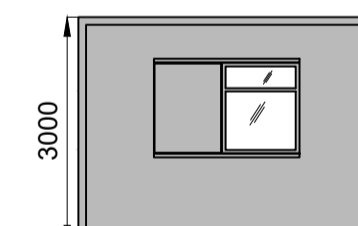
TYPICAL STORAGE UNIT - PLAN
SCALE 1:100



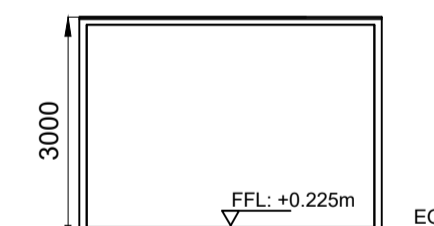
DRYING ROOM - SIDE ELEVATION
SCALE 1:100



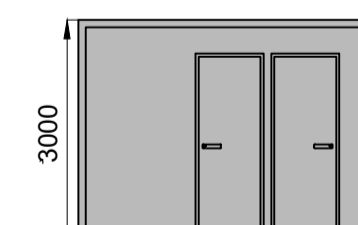
DRYING ROOM & TOILETS - REAR ELEVATION
SCALE 1:100



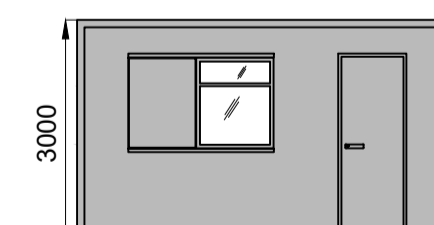
TOILETS - SIDE ELEVATION
SCALE 1:100



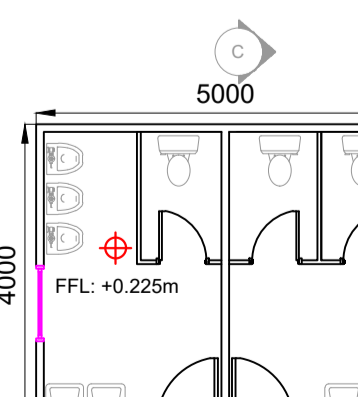
DRYING ROOM & TOILETS - SECTION C-C
SCALE 1:100



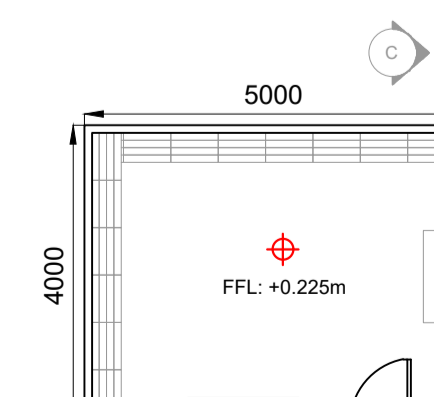
TOILETS - FRONT ELEVATION
SCALE 1:100



DRYING ROOM - FRONT ELEVATION
SCALE 1:100



TOILETS - FLOOR PLAN
SCALE 1:100



DRYING ROOM - FLOOR PLAN
SCALE 1:100

NOTE:
Orientation varies as multiple instances on site, north point can be seen on Drg. No: 10798-2003.

Rev	Date	Description	By	Chkd.
A	09.02.23	PLANNING ISSUE	EB	MN

Client:
CLOGHERCOR WIND FARM LTD.

Project:
CLOGHERCOR WIND FARM

Title:
PROPOSED TEMPORARY SITE COMPOUND & ELEVATIONS

Scale @ A1: **As Shown**
Prepared by: **E. Beggs** Checked: **M. Nolan** Date: **November 22**

Project Director: **S. Tinnelly**
Drawing Status: **Planning**

TOBIN
CONSULTING ENGINEERS
Block 10-4, Blanchardstown Corporate Park, Dublin 15, Ireland.
tel: +353-(0)1-8030406
fax: +353-(0)1-8030409
e-mail: dublin@tobin.ie
www.tobin.ie

TOBIN Consulting Engineers will not be liable for any use of this document for any purpose other than that for which it was originally prepared and provided. Except where specifically and explicitly agreed in writing by TOBIN Consulting Engineers, no copyright notice, no part of this document may be reproduced or transmitted in any form and this document shall not be relied upon by any third party for any purpose.
Drawing No.: **17098-2025** Revision: **A**